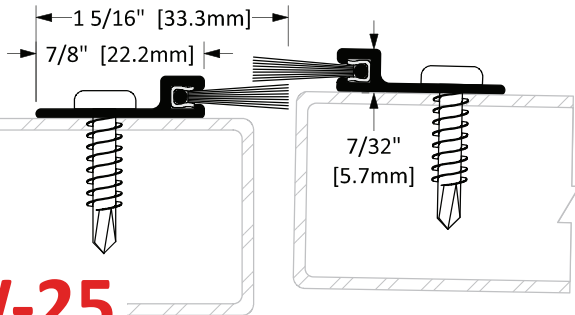
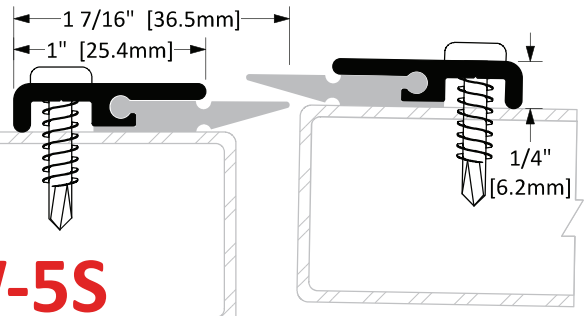


# ASTRAGALS



## W-25

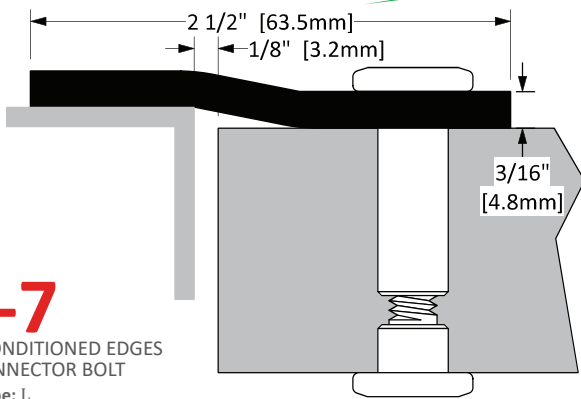
ANODIZED ALUMINUM WITH BRUSH  
 Screw Type: A  
 OPT Screw Type: B  
 STD Finish: Clear Anodized  
 OPT Finish: B.A., BL.A.



## W-5S

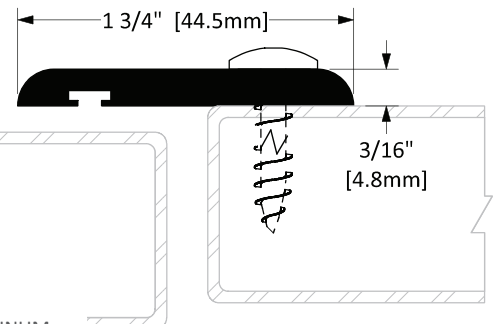
ANODIZED ALUMINUM WITH SILICONE  
 Screw Type: A  
 OPT Screw Type: B  
 STD Finish: Clear Anodized  
 OPT Finish: B.A., BL.A.

**IMPROVED**



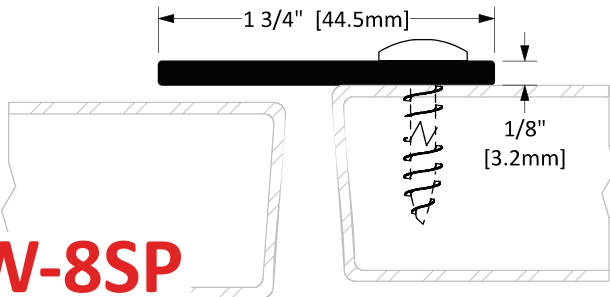
  
**W-7**

WITH CONDITIONED EDGES  
 C/W CONNECTOR BOLT  
 Screw Type: L  
 OPT Screw Type: M  
 STD Finish: Primed C.R. Steel



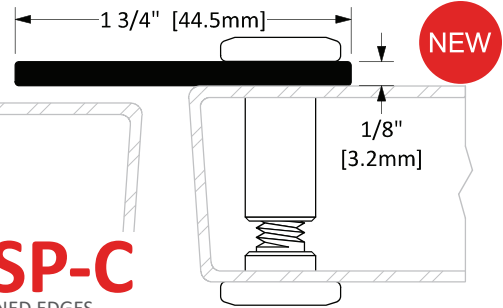
## W-8

EXTRUDED ALUMINUM  
 Screw Type: J  
 OPT Screw Type: K  
 STD Finish: Mill  
 OPT Finish: B.A., BL.A., C.A.



## W-8SP

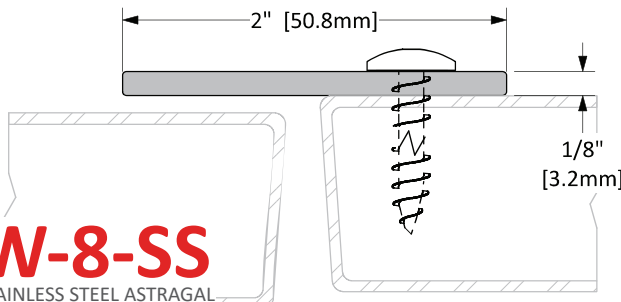
WITH CONDITIONED EDGES  
 Screw Type: J  
 OPT Screw Type: K  
 STD Finish: Primed C.R. Steel



## W-8SP-C

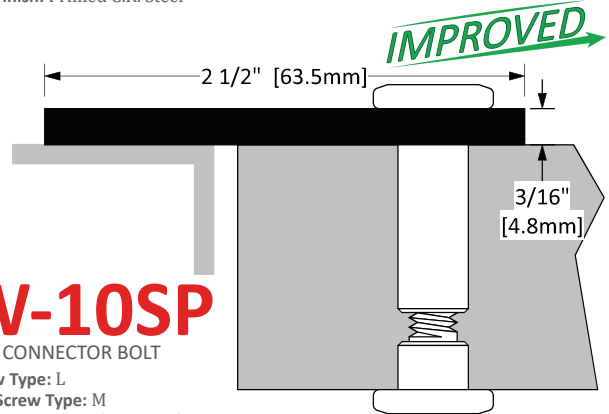
WITH CONDITIONED EDGES  
 C/W CONNECTOR BOLT (-C)  
 Screw Type: L  
 OPT Screw Type: M  
 STD Finish: Primed C.R. Steel

**NEW**



## W-8-SS

STAINLESS STEEL ASTRAGAL  
 Screw Type: J  
 OPT Screw Type: K, L  
 STD Finish: 18 GA. 304 SS. 2B

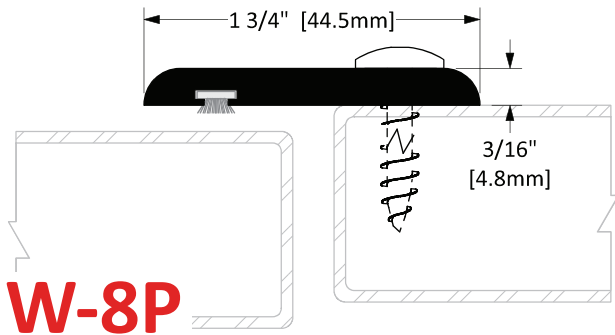


## W-10SP

C/W CONNECTOR BOLT  
 Screw Type: L  
 OPT Screw Type: M  
 STD Finish: Primed C.R. Steel

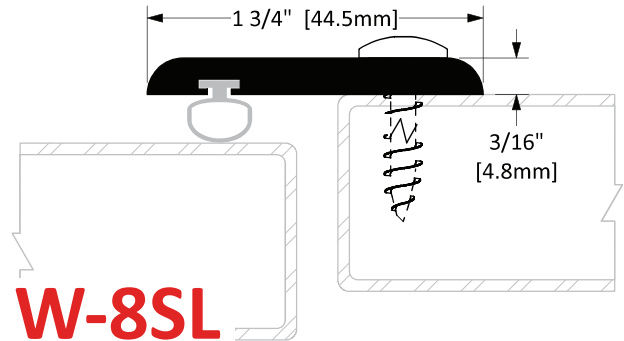
**IMPROVED**

# ASTRAGALS



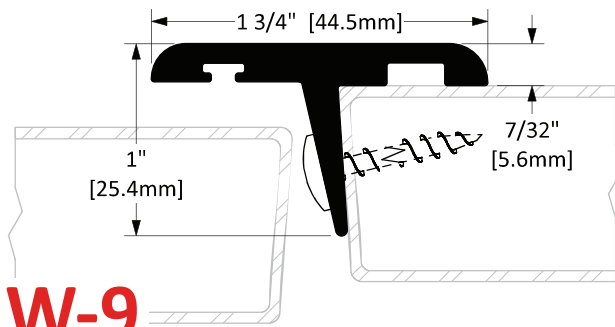
## W-8P

EXTRUDED ALUMINUM WITH PILE  
 Screw Type: J  
 OPT Screw Type: K  
 STD Finish: Mill  
 OPT Finish: B.A., BL.A., C.A.



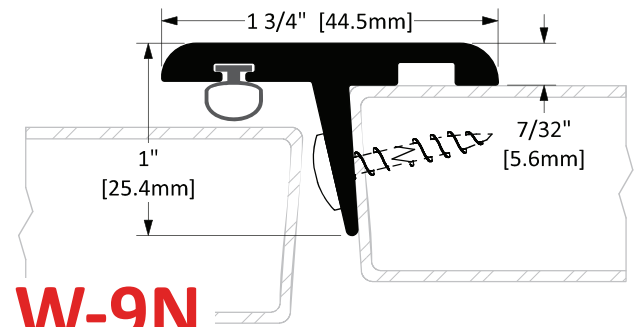
## W-8SL

EXTRUDED ALUMINUM WITH SILICONE  
 Screw Type: J  
 OPT Screw Type: K  
 STD Finish: Mill  
 OPT Finish: B.A., BL.A., C.A.



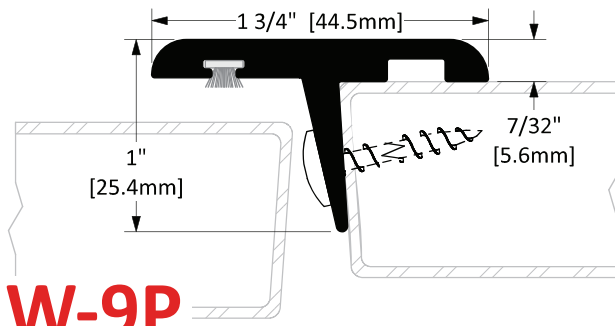
## W-9

ANODIZED ALUMINUM  
 Screw Type: J  
 OPT Screw Type: K  
 STD Finish: Clear Anodized



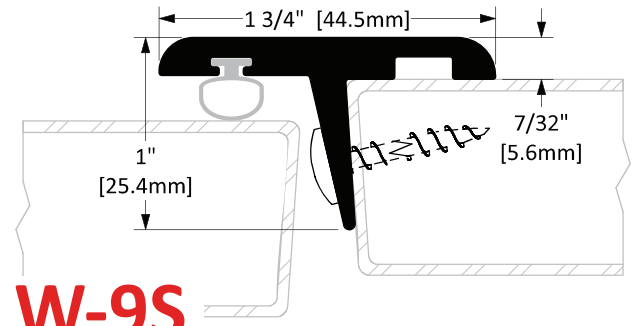
## W-9N

ANODIZED ALUMINUM WITH NEOPRENE  
 Screw Type: J  
 OPT Screw Type: K  
 STD Finish: Clear Anodized



## W-9P

ANODIZED ALUMINUM WITH PILE  
 Screw Type: J  
 OPT Screw Type: K  
 STD Finish: Clear Anodized



## W-9S

ANODIZED ALUMINUM WITH SILICONE  
 Screw Type: J  
 OPT Screw Type: K  
 STD Finish: Clear Anodized